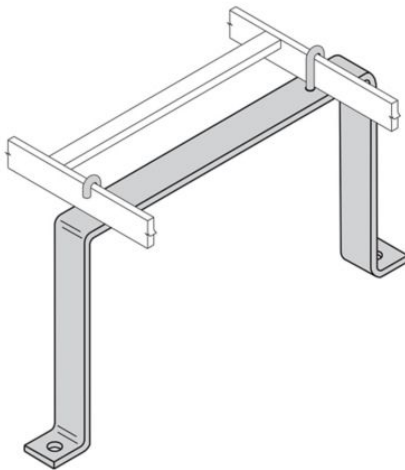


Eaton SB2262002YZ

Catalog Number: SB2262002YZ

Eaton B-Line series runway support, Used to support cable runway from objects, Includes angle bracket, J Bolts and 5/16-18 hardware, Runway floor support bracket, ASTM A36 structural steel, Yellow zinc



General specifications

Product Name	Catalog Number
Eaton B-Line series runway support	SB2262002YZ
UPC	Product Length/Depth
799038290223	23.75 in
Product Height	Product Width
2 in	20 in
Product Weight	Certifications
2.3 lb	UL Listed

Product specifications

Special features

Includes angle bracket, J Bolts & 5/16-18 hardware

Type

Runway support

Material details

Yellow zinc ASTM A36 steel

Application

Used to support cable runway from objects

Resources

Brochures

[Redi-Rail runway brochure](#)

Catalogs

[Cable runway and accessories section of datacomm catalog](#)

Specifications and datasheets

[Eaton Specification Sheet - SB2262002YZ](#)



Eaton Corporation plc
Eaton House
30 Pembroke Road
Dublin 4, Ireland
Eaton.com

© 2023 Eaton. All Rights Reserved.

Eaton is a registered trademark.

All other trademarks are property of their respective owners.



[Eaton.com/socialmedia](https://www.eaton.com/socialmedia)